



**ARIT**

Sicherheitstechnologien GmbH



**soft@n**

**Weatherproof  
and Indoor Loudspeakers**



About Company	<b>3</b>
Weatherproof Outdoor Loudspeakers	<b>4</b>
Indoor Loudspeakers	<b>10</b>



**ARIT Sicherheitstechnologien GmbH is a solution provider that develops and implements industrial intercom and security systems. The company offers implementation of reliable solutions in Europe and Asia based on its own developments and the equipment of leading global manufacturers.**

**Softon** loudspeakers are designed and manufactured by ARIT as a part of the intercom systems, PA/GA and emergency alert systems. The Softon range consists of outdoor and indoor models that allow to offer complete suite of communication solutions for industrial facilities, commercial facilities, and public places.

### **Softon Features:**

- Proprietary product designed according to customers' specific requirements;
- Wide range of models to complete any public address systems;
- Reliable operation under most challenging environmental conditions: extreme cold or heat, and high-humidity and dusty environments.

### **Areas of Application:**



Gas Industry



Oil Industry



Chemical Industry



Metal Industry



Energy Sector



Transport





A photograph of an industrial facility, likely a refinery or chemical plant, featuring several tall, cylindrical smokestacks and a complex network of pipes and metal walkways. The sky is clear and blue. The image is split into two sections: the top right and bottom right corners show the industrial structures, while the middle section is a white rectangle containing text.

## **WEATHERPROOF OUTDOOR LOUDSPEAKERS**

Weatherproof horn speakers are particularly suitable for outdoor use in local public address and communication systems at industrial facilities, construction sites, and open areas that are exposed to harsh weather conditions.



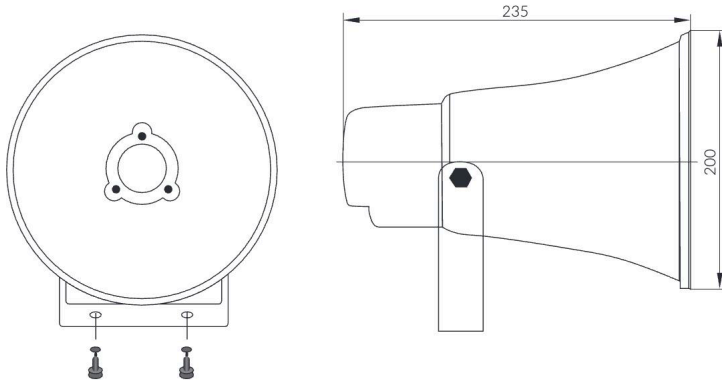
Weatherproof Outdoor Loudspeakers  
**GTA-15T / GTA-30T**

## Features:

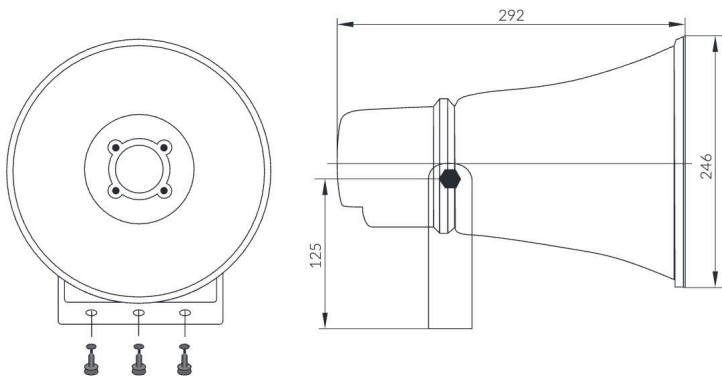
- Aluminum housing;
- Power tapping;
- IP66 protection against dust and water;
- Wide range of operating temperatures.

## Height x width x depth:

### GTA-15T



### GTA-30T



## Technical data

GTA-15T	GTA-30T
Power, W	
15	30
Max. sound pressure level (1 W/m), dB	
102 ± 3	109 ± 3
Max. sound pressure level (max/m), dB	
114	124
Power supply voltage, V	
100	100
Power, W	
15; 7.5; 3.8; 1.9	30; 15; 7.5; 3.8
Frequency range, Hz	
300 – 8 000	380 – 10 000
Operating temperature range, °C	
-40 to +60 (-40 °F to 140 °F)	
Ingress protection	
IP66	IP66
Weight, kg	
1,9	2,1
Housing finish / material	
Pale gray RAL 7035 / ABS, aluminum	



Weatherproof Outdoor Loudspeakers  
**GTM-15T / GTM-30T**

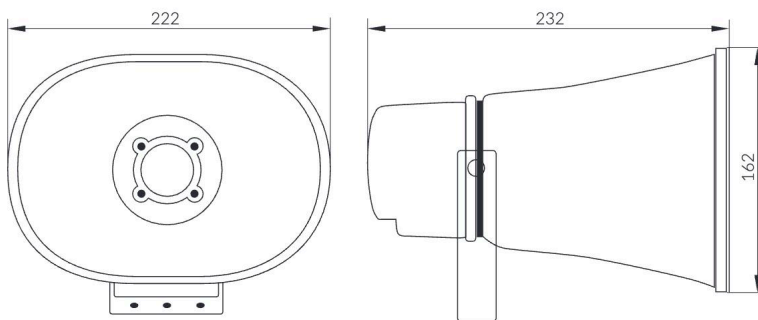


## Features:

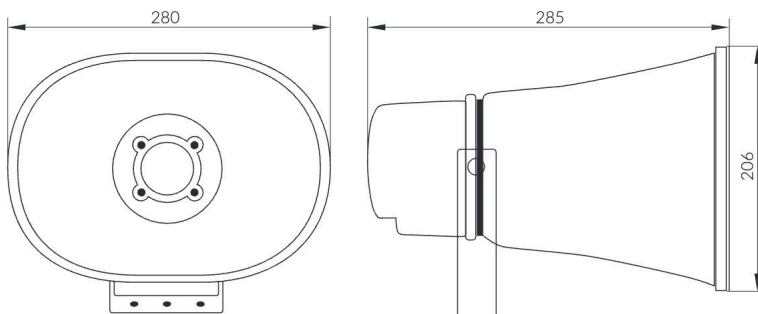
- Plastic housing and horn;
- Loudspeaker power control;
- High-grade dust and damp protection;
- Lightweight.

## Height x width x depth:

### GTM-15T



### GTM-30T



## Technical data

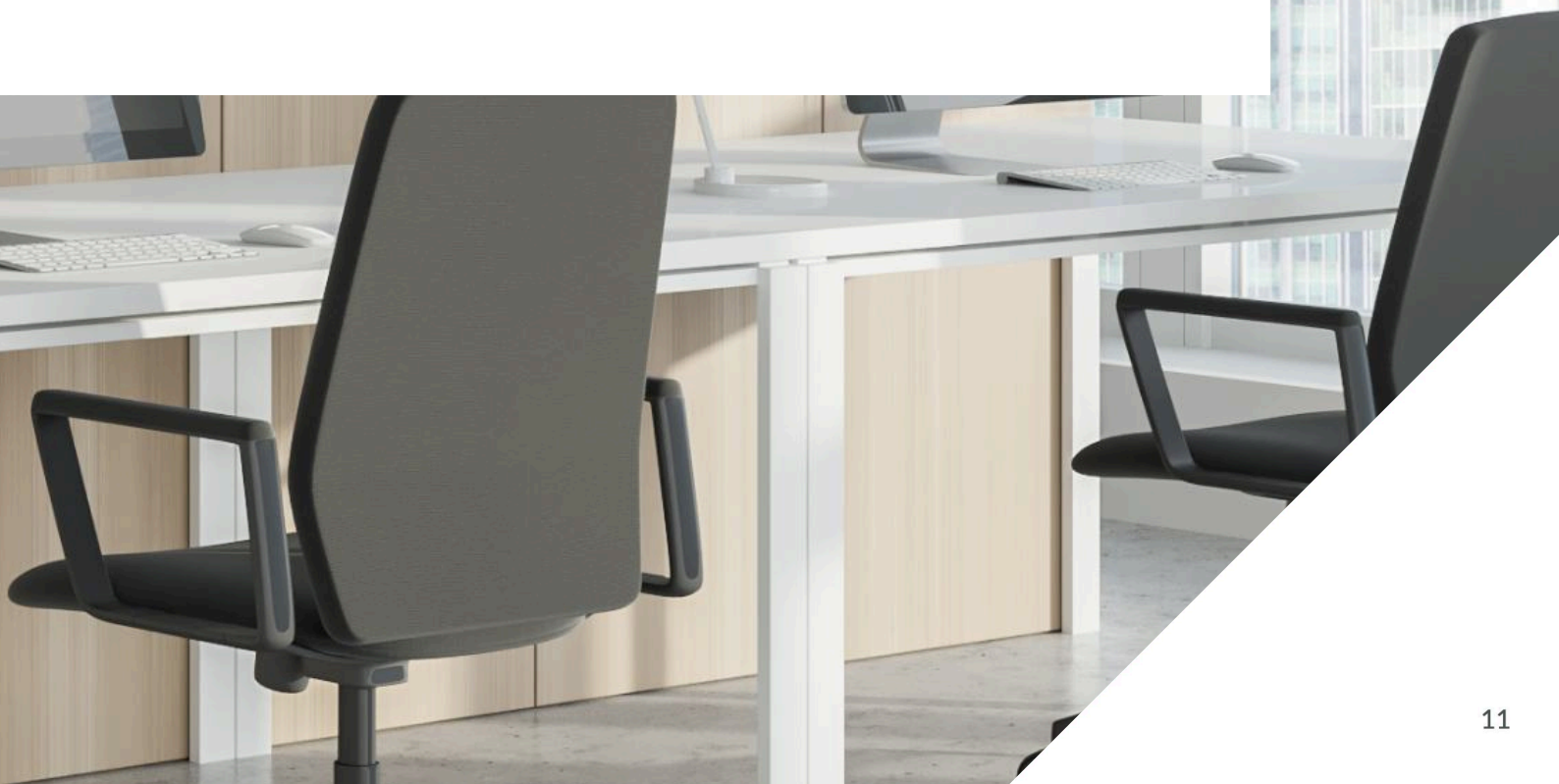
GTM-15T	GTM-30T
Power, W	
15	30
Max. sound pressure level (1 W/m), dB	
105 ± 3	105 ± 3
Max. sound pressure level (max/m), dB	
117	119
Power supply voltage, V	
100	100
Power, W	
15; 7.5; 3.8; 1.9	30; 15; 7.5; 3.8
Frequency range, Hz	
300 – 10 000	250 – 8 000
Operating temperature range, °C	
-20 to +60 (-4 °F to 140 °F)	
Ingress protection	
66	66
Weight, kg	
1,4	1,8
Housing finish / material	
white RAL 9016 / ABS plastic	

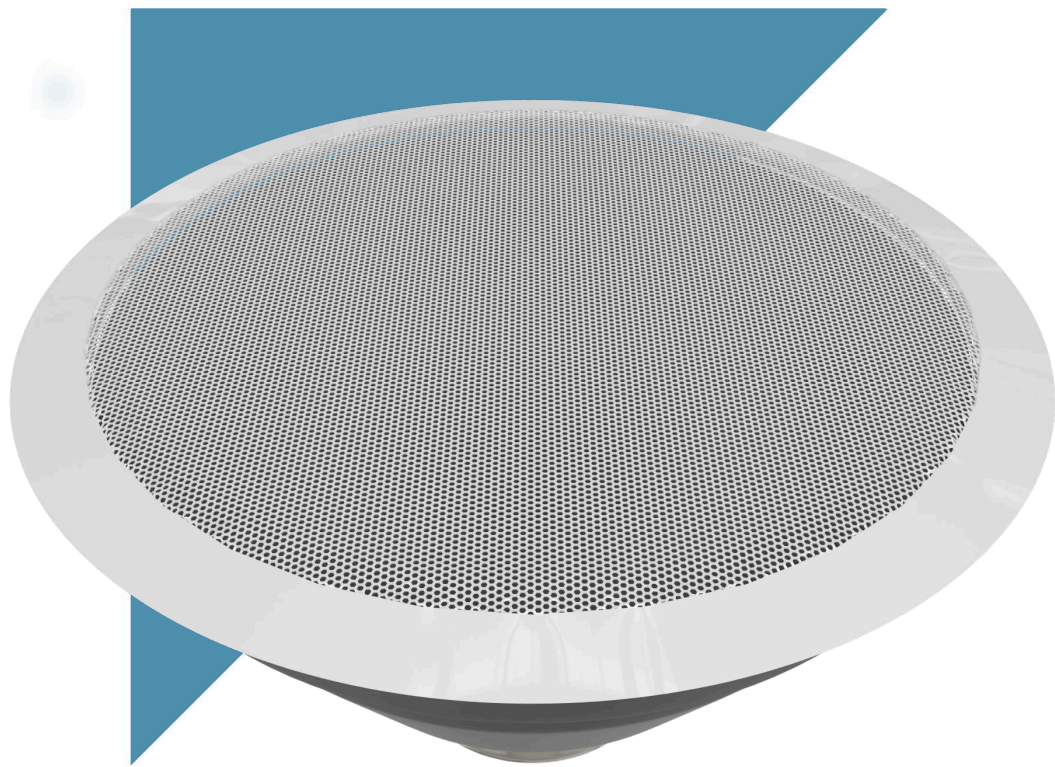




## **INDOOR LOUDSPEAKERS**

These loudspeakers are particularly suitable for indoor use in enterprises and public buildings (offices, shopping malls, movie theaters, etc.) as a part of public address and communication systems. All devices have a built-in 100-V transformer that allows to switch tapping.





Indoor Loudspeakers

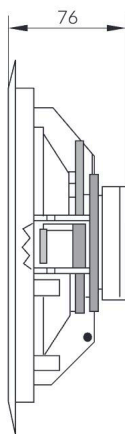
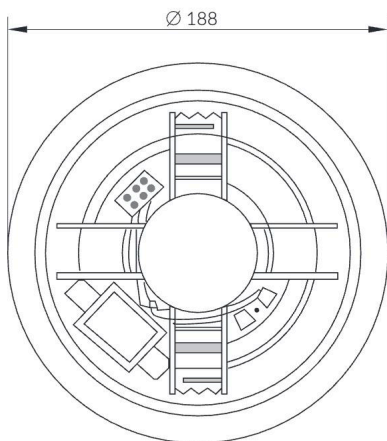
**GTC-6**



## Features:

- Plastic housing;
- Terminal connectors;
- Ceiling mounting.

## Height x width x depth:



## Technical data

### GTC-6

Power, W  
6

Max. sound pressure level (1 W/m), dB  
**93 ± 3**

Max. sound pressure level (max/m), dB  
**104**

Power supply voltage, V  
100

Power, W  
6; 3\*

Frequency range, Hz  
**100 – 15 000**

Operating temperature range, °C  
**0 to +60 (32 °F to 140 °F)**

Weight, kg  
**0,7**

Housing finish / material  
**white RAL 9016 / ABS plastic**

\*Model GTC-6T has power switching  
for: 6; 3; 1.5 W

GTT-10



GTW-10

Indoor Loudspeakers  
**GTT-10 / GTW-10**

**Features:**

**GTT-10**

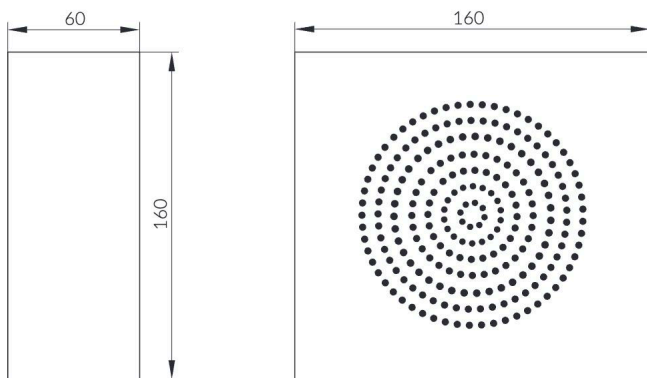
- Metal housing;
- Power tapping;
- Desktop or wall mounting.

**GTW-10**

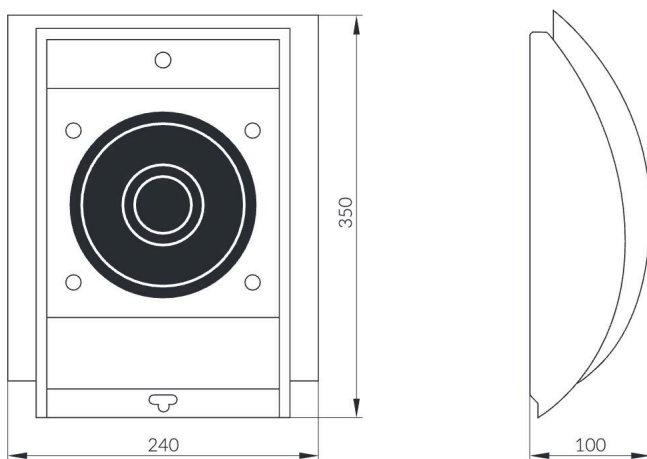
- Plastic housing;
- Power tapping;
- Wall mounting;
- Stylish design.

**Height x width x depth:**

**GTT-10**



**GTW-10**



**Technical data**

**GTT-10                      GTW-10**

Power, W

**6                      |                      10**

Max. sound pressure level (1 W/m), dB

**92 ± 3                      |                      92 ± 3**

Max. sound pressure level (max/m), dB

**102                      |                      105**

Power supply voltage, V

**100                      |                      100**

Power, W

**6; 3; 1,5; 0,75                      |                      10; 5**

Frequency range, Hz

**120 – 10 000                      |                      150 – 15 000**

Operating temperature range, °C

**0 to +50 (32 °F to 122 °F)**

Weight, kg

**1,4                      |                      1,7**

Housing finish / material

**Pale gray RAL 7035 /                      |                      White RAL 9010 /  
metal                                              HIPS plastic**



**soft@n**

Hauptstraße 10, 14979 Großbeeren, Deutschland

Tel.: +49 (0) 33 701 26330

[info@aritgroup.de](mailto:info@aritgroup.de)

[www.aritgroup.de](http://www.aritgroup.de)